



OVENS

COOKTOPS

RANGEHOODS

DISHWASHERS

MICROWAVES

2010

**VENINI**  
EUROPEAN EXCELLENCE

## INTRODUCING VENINI

VENINI, A STYLISH AND FRESH COOKING APPLIANCE RANGE STEMMING FROM ITALIAN TRADITION. OUR APPLIANCE RANGE OFFERS QUALITY AND SIMPLICITY AT A PRICE YOU CAN AFFORD, AND WILL BRING THAT EUROPEAN FLAIR TO ANY KITCHEN DESIGN.

### COOKING FUNCTIONS



#### LIGHT

The separate light function will illuminate the oven cavity. This function is also useful when cleaning the oven interior and will give a low heat suitable for proving dough.



#### CONVENTIONAL COOKING

This method of cooking provides traditional cooking with heat from the outer top and lower elements. Particularly suitable for roasting and baking on the centre shelf.



#### FULL GRILL

This cooking method is normal static grilling utilising both top elements which directs heat downwards onto the food. Suitable for grilling medium to large portions of food.



#### FAN FORCED

This method of cooking uses the circular element located around the fan to distribute heat evenly resulting in a faster, more efficient operation. Cooking with the fan on allows different kinds of food to be cooked simultaneously on different shelves, preventing the transmission of smells and flavours from one dish onto another.



#### FAN AND LOWER ELEMENT

This method of cooking uses the bottom element with the fan to circulate the heat upward. For delicate dishes and heating pre-cooked food. Suitable for patisserie and baking foods that require concentration of heat on the base.



#### CENTRE GRILL AND FAN

The top centre heating element is turned on and its heat is distributed by the fan resulting in perfectly grilled meat without the need to turn. It is ideal for small cuts such as chicken pieces and racks of lamb.



#### TOP ELEMENT ONLY

This method of cooking uses the outer top element to direct heat downwards onto the food. For gentle cooking, browning or keeping cooked dishes warm.



#### CONVECTION OVEN AND FAN ASSIST

This method of cooking provides heat from the outer top and the lower element, plus the use of the fan to circulate the heat and ensure a fast and even distribution. Suitable for baking or roasting when browning is required.



#### DEFROST

The fan runs without heat to reduce the defrosting time of frozen foods. The time required to defrost the food will depend on the room temperature, the quantity and type of food: Remove frozen portions of meat completely from packaging and place over the grill rack to allow proper circulation.



#### LOWER ELEMENT ONLY

This method of cooking uses the lower element to direct heat upward to the food. For slow-cooking recipes or for warming up meals.



#### CENTRE GRILL

This cooking method is static grilling utilising the inner top element, which directs heat downward onto the food. Suitable for grilling small portions of meat or for toasting.





VC06SS 60CM INBUILT CONVENTIONAL OVEN

**:: Features**

- 59 litre capacity
- 60 minute timer
- Cavity cooling & cool door system
- Moulded side rails in oven cavity
- Double glazed removable door
- One piece, easy to clean seamless oven liner
- Stainless steel finish

**4 OVEN FUNCTIONS**



VFFO6SS 60CM INBUILT FAN FORCED OVEN

**:: Features**

- 59 litre capacity
- 60 minute timer
- Cavity cooling & cool door system
- Moulded side rails in oven cavity
- Double glazed removable door
- One piece, easy to clean seamless oven liner
- Stainless steel finish

**4 OVEN FUNCTIONS**



VFFO6W 60CM INBUILT FAN FORCED OVEN

**:: Features**

- 59 litre capacity
- 60 minute timer
- Cavity cooling & cool door system
- Moulded side rails in oven cavity
- Double glazed removable door
- One piece, easy to clean seamless oven liner
- White enamel and glass finish

**4 OVEN FUNCTIONS**



VEO7001 70CM FAN FORCED OVEN

**:: Features**

- 75 litre capacity
- 120 minute stop timer
- Cavity cooling & vented door
- Removable, chromed steel, oven side racks
- Closed door grilling
- Double glazed removable door
- One piece, easy to clean seamless oven liner
- Stainless steel finish

**4 OVEN FUNCTIONS**



**::** PROTECT YOUR FAMILY AND KITCHEN WITH VENINI INBUILT OVENS. THE VENINI INBUILT RANGE FEATURES OUR COOL DOOR SYSTEM, WHERE A SPECIAL COOLING FAN FORCES HOT AIR OUT, WHILE MAINTAINING A SAFE OUTER DOOR TEMPERATURE.



#### VEO9002 90CM FAN FORCED OVEN

##### :: Features

- 92 litre superior oven capacity
- 120 minute stop timer
- Double glazed removable door
- Cavity cooling & vented door
- Removable, chromed steel, oven side racks
- Stainless steel finish

##### 4 OVEN FUNCTIONS



#### VEF90EG 90CM FREESTANDING OVEN

##### :: Features

##### COOKTOP FEATURES

Five burner gas hob:

- 1 triple flame wok burner
- 2 semi-rapid burners
- 1 auxiliary burner
- 1 rapid burner

Heavy duty cast iron trivets with protective rubber feet  
 Convenient automatic under knob ignition  
 One piece seamless hob with generous catchment area

##### OVEN FEATURES

- 3 oven functions: fan forced, full grill and defrost.
- Brushed stainless steel finish
- Stainless steel handle
- Automatic oven light
- Oven Capacity 110 Litres
- Fully mirrored glass door
- Thermostatically controlled grill
- LED Programmable clock
- Double glazed removable door
- Removable inner door glass
- Adjustable feet
- Closed door grilling

##### STANDARD ACCESSORIES

- Removable side racks
- 1 x Enamel baking tray and grill rack
- 1 x Safety shelf

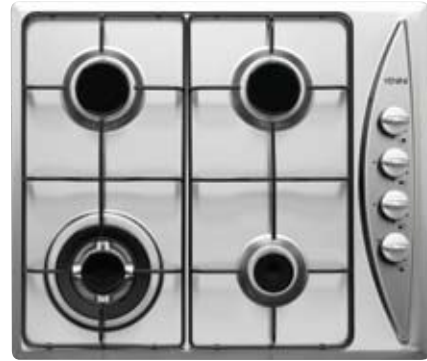
❖ IF YOU LOVE TO COOK AND ENTERTAIN, THEN EITHER THE 90CM VENINI INBUILT OVEN OR FREESTANDING COOKER IS FOR YOU. WITH SUPERIOR OVEN CAPACITY YOU CAN COOK UP A FEAST IN NO TIME.



VECG6006W 60CM GAS COOKTOP (not pictured)  
VECG6003 60CM GAS COOKTOP

:: Features

- 4 gas burners
- Automatic under knob ignition
- Durable, enamelled trivets with rubber feet
- One piece hob design
- Side controls
- Spill catchment area
- White enamel or stainless steel finish



VECG6007W 60CM GAS COOKTOP WITH WOK (not pictured)  
VECG6004 60CM GAS COOKTOP WITH WOK

:: Features

- 4 gas burners including triple flame wok burner
- Automatic under knob ignition
- Durable, enamelled trivets with rubber feet
- One piece hob design
- Side controls
- Spill catchment area
- White enamel or stainless steel finish



VECG7001 70CM GAS COOKTOP WITH WOK

:: Features

- 5 gas burners including triple flame wok burner
- Automatic underknob ignition
- Durable, enamelled trivets with rubber feet
- One piece hob design
- Front controls
- Spill catchment area
- Stainless steel finish



VECG9002 90CM GAS COOKTOP WITH WOK

:: Features

- 5 gas burners including triple flame wok burner
- Automatic underknob ignition
- Durable, enamelled trivets with rubber feet
- One piece hob design
- Side controls
- Spill catchment area
- Stainless steel finish

❖ COOKING WITH GAS? THESE BEAUTIFULLY CRAFTED GAS COOKTOPS BY VENINI OFFER YOU THE LATEST IN DESIGN FROM ITALY WITH A RANGE OF SIZES FOR ALL APPLICATIONS.



VECE6008W 60CM SOLID ELEMENT COOKTOP (not pictured)  
VECE6005 60CM SOLID ELEMENT COOKTOP

:: Features

- 4 solid electric elements
- Multiple zone sizes
- Side controls
- Spill catchment area
- One piece hob design
- White enamel or stainless steel finish



GECE6002 60CM CERAN COOKTOP

:: Features

- 4 x electric cooking zones
- Responsive radiant elements
- Ceramic glass surface
- Frameless design for ease of cleaning
- Side control knob operation
- 4 individual residual heat indicators
- Multi-power level selection



GECE7002 70CM CERAN COOKTOP

:: Features

- 4 radiant electric elements
- Residual heat indicators
- Multiple zone sizes
- Front controls
- Frameless design
- Ceramic glass surface

:: THE LAST THING WE WANT TO DO IS SPEND ALL OUR TIME CLEANING. WITH A VENINI CERAN COOKTOP, CLEANING IS A BREEZE, LEAVING YOU WITH MORE TIME TO ENJOY TIME.



#### GEH6013 60CM FIXED RANGEHOOD

##### :: Features

- Single incandescent light
- 2 x framed, metallic grease filters
- 180m<sup>3</sup>/hr drawing capacity
- Single centrifugal motor
- 3 speed slide controls
- Stainless steel finish
- Also available in white (GEH6021W not pictured)



#### GEH6018 60CM SLIDEOUT RANGEHOOD

##### :: Features

- Twin incandescent lights
- 2 x framed metallic grease filters (front & rear)
- 440m<sup>3</sup>/hr drawing capacity
- Twin centrifugal motors
- 3 speed slide controls
- Stainless steel rail with white underside
- Also available in white (GEH6018W not pictured)



#### GEH6016 60CM FRONT RECIRCULATING SLIDEOUT RANGEHOOD

##### :: Features

- Stainless steel rail
- 425 m<sup>3</sup>/hr drawing capacity
- 2 speed, Fan controls
- 1 metallic grease filters
- Twin incandescent lights



#### GEH7000U 70CM FIXED RANGEHOOD

##### :: Features

- Stainless steel finish
- Single tangential motor
- Maximum drawing capacity 600 m<sup>3</sup>/h\*
- 3 speed slide control
- Twin incandescent lighting
- 1 metallic grease filter



#### GEH9033 90CM SLIDEOUT RANGEHOOD

##### :: Features

- Stainless steel rail with black underside
- Single centrifugal motor
- Maximum drawing capacity 385 m<sup>3</sup>/h\*
- 2 speed slide control
- Single incandescent lighting
- 1 framed metallic grease filter
- Glass pull out smoke screen

⚙️ FOR OPTIMUM PERFORMANCE, WE RECOMMEND THAT YOU DUCT YOUR VENINI RANGEHOOD TO SUIT YOUR ATMOSPHERE. THAT WAY YOU CAN ENSURE YOUR KITCHEN REMAINS ODOUR FREE.



GEH6009 60CM CANOPY OR  
GEH7010 70CM CANOPY

**:: Features**

- 2 x incandescent lights
- 2 x framed, metallic grease filters
- 500m<sup>3</sup>/hr tangential motor
- 3 speed, push button controls
- Stainless steel finish



GEH9010G 90CM WALL CANOPY

**:: Features**

- Stainless steel / glass finish
- Single tangential motor
- Maximum drawing capacity 700 m<sup>3</sup>/h\*
- 3 speed electronic controls
- Push button operation
- Twin halogen lighting
- 2 metallic framed grease filters



GEH9011 90CM CANOPY

**:: Features**

- 2 x incandescent lights
- 3 x framed, metallic grease filters
- 500m<sup>3</sup>/hr tangential motor
- 3 speed, push button controls
- Stainless steel finish



GEH9015G 90CM GLASS CANOPY

**:: Features**

- 2 x halogen lights
- 2 x framed, metallic grease filters
- 700m<sup>3</sup>/hr tangential motor
- 3 speed, electronic controls
- Stainless steel and glass finish



VED6005 60CM FREESTANDING DISHWASHER

**:: Features**

- 12 place settings
- 6 functions (normal, intensive, economy, rinse, rapid, soak)
- 3 wash temperatures
- mark resistant coating
- convection drying with concealed heating element
- self cleaning stainless steel micro filter
- anti leak device / anti flood device
- height adjustable upper basket with collapsible plate racks
- noise level: 55dB



GEM252TK 25LT MICROWAVE OVEN

**:: Features**

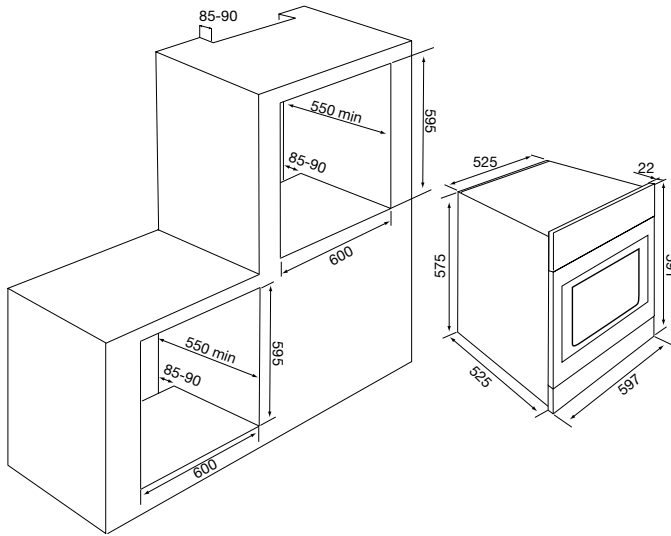
- Stainless steel finish and interior
- Push button door operation
- 800 watt microwave power
- 1000 watt grill power
- 5 power levels
- 60 minute digital timer
- Auto defrost mode & Auto start feature
- Microwave and grill combination settings
- Multi-sequence cooking available
- Auto reminder
- Child safety lock
- Microwave trim kit to suit included

## VENINI SPECIFICATIONS : OVENS

Flush mount installation \*Refer to manual for full installation instruction

PLEASE NOTE THE CABINERY DIAGRAMS DEPICT THE KITCHEN CARCASS.

IT IS ASSUMED THAT KITCHEN DOORS OR FIXED PANELS WILL BE FITTED OVER THE TOP TO ENABLE A FLUSH MOUNT INSTALLATION.



MODELS VCO6SS + VFFO6SS + VFFO6W

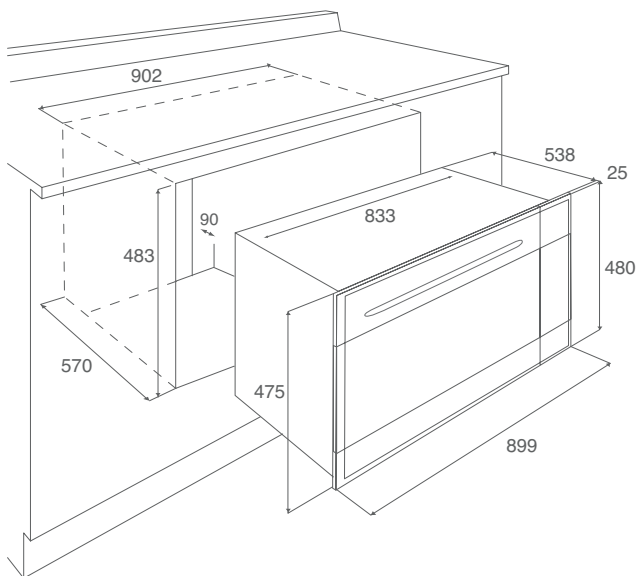
**ELECTRICAL CONNECTION:**

2 metre cord with 10 amp plug - VFFO6SS/W

2 metre cord with 15 amp plug - VCO6SS

Accessories - 2 x oven safety shelves

1 x grill/baking tray and rack, 1 x grill pan handle



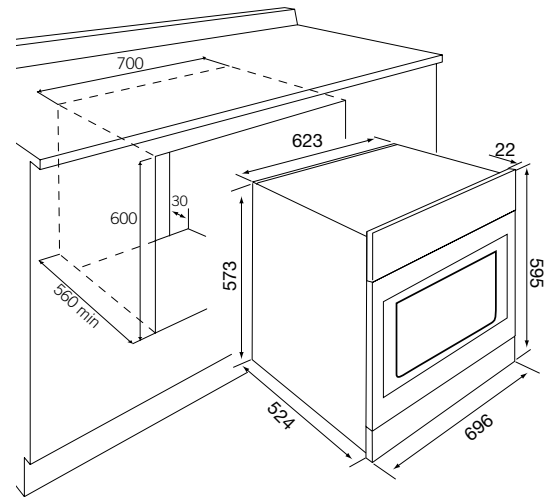
MODELS VEO9002

**ELECTRICAL CONNECTION:**

2 metre cord with 15 amp plug

Accessories - 2 x oven safety shelves

1 x grill/baking tray and rack, 1 x grill tray handle



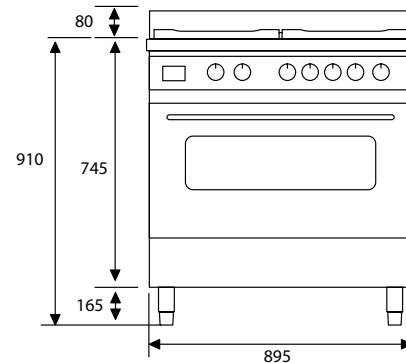
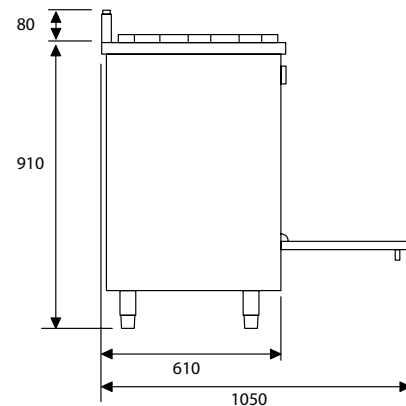
MODELS VEO7001

**ELECTRICAL CONNECTION:**

2 metre cord with 15 amp plug

Accessories - 2 x oven safety shelves

1 x grill/baking tray and rack, 1 x grill tray handle



MODELS VEF90EG

**ELECTRICAL CONNECTION:**

2 metre cord with 15 amp plug

Accessories - Removable side racks,

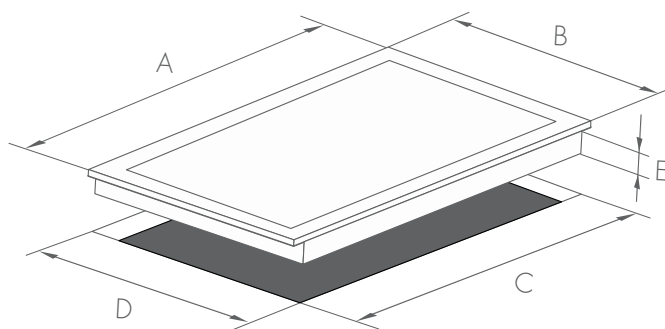
1 x Enamel baking tray and grill rack,

1 x Safety shelf

MODEL	BURNER DESCRIPTION				CONNECTION
VECE6008W	1 x solid rapid element 1.5kW (180mm)	1 x solid element 1kW (145mm)	1 x solid element 1.5kW (180mm)	1 x solid element 1kW (145mm)	hard wired 25 amp
VECE6005	1 x solid rapid element 1.5kW (180mm)	1 x solid element 1kW (145mm)	1 x solid element 1.5kW (180mm)	1 x solid element 1kW (145mm)	hard wired 25 amp
GECE6002	2 x radiant elements 1.2kW (180mm)	2 x radiant elements 1.8kW (180mm)			hard wired 30 amp
GECE7002	2 x radiant element 1.7kW (180mm)	2 x radiant element 1.2kW (140mm)			hard wired 25 amp
VECG6003	1 x rapid burner 11.6 MJ	2 x semi rapid burners 6.5 MJ	1 x auxiliary burner 4.0 MJ		10 amp plug
VECG6006W	1 x rapid burner 11.6 MJ	2 x semi rapid burners 6.5 MJ	1 x auxiliary burner 4.0 MJ		10 amp plug
VECG6004	1 x wok burner 14.5 MJ	2 x semi rapid burners 6.5 MJ	1 x auxiliary burner 4.0 MJ		10 amp plug
VECG6007W	1 x wok burner 14.5 MJ	2 x semi rapid burners 6.5 MJ	1 x auxiliary burner 4.0 MJ		10 amp plug
VECG7001	1 x wok burner 14.5 MJ	1 x rapid burner 11.6 MJ	2 x semi rapid burners 6.5 MJ	1 x auxiliary burner 4.0 MJ	10 amp plug
VECG9002	1 x wok burner 14.5 MJ	1 x rapid burner 11.6 MJ	2 x semi rapid burners 6.5 MJ	1 x auxiliary burner 4.0 MJ	10 amp plug

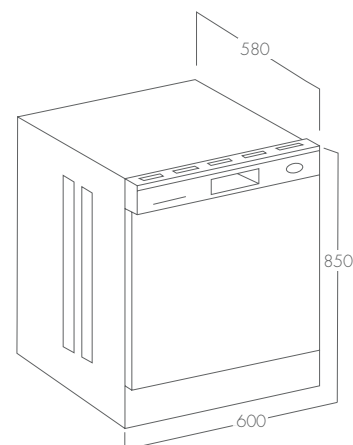
## EXTERNAL AND CUTOUT DIMENSIONS

	VECE6008W	VECE6005	GECE6002	GECE7002	VECG6003	VECG6006W	VECG6004	VECG6007W	VECG7001	VECG9002
A	595	595	590	680	585	585	585	585	685	860
B	500	500	520	510	500	500	500	500	510	510
C	560	560	560	560	560	560	560	560	560	830
D	480	480	490	490	480	480	480	480	480	480
E	40	40	55	40	35	35	35	35	35	40



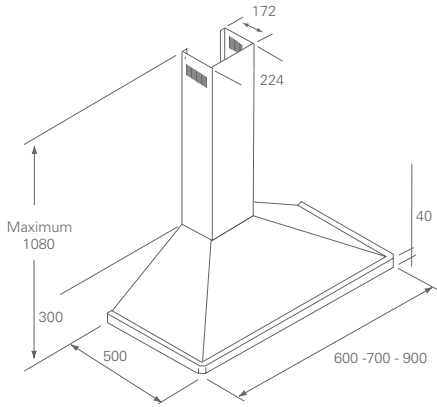
## VENINI SPECIFICATIONS : DISHWASHER

MODEL	VED6005
Star Energy Rating	2.5
Water Usage Rating	2.5
Approx Water Consumption (litres)	15.7
Approx Energy Consumption (kW/h)	319
Wash Temperatures	40°C, 50°C, 70°C
Upper Basket	height adjustable
Lower Basket	collapsible
Anti Leak Safety System / Anti Flood Safety System	yes
Noise Level (dB)	55
Wash Programs	Intensive, Normal, Economy, Rinse, Glass, Rapid, Soak
Approx Duration of Cycle (mins)	
External Dimensions mm (H x W x D)	850 x 600 x 580
Cut out Dimensions mm (H x W x D)	865 x 613 x 585
Water Connection	3/4" BSP /cold water - pex hoses
Plug Supplied	10 amp
Concealed Element	Yes

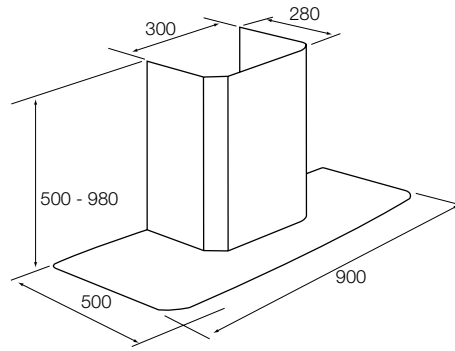


## VENINI SPECIFICATIONS : CANOPIES

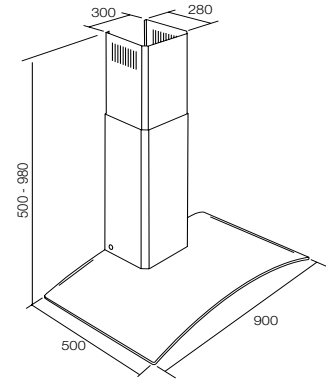
ELECTRICAL CONNECTION: 10 amp plug - All canopies and rangehoods



MODELS  
GEH6009 + GEH7010 + GEH9011  
Flue outlet 120mm



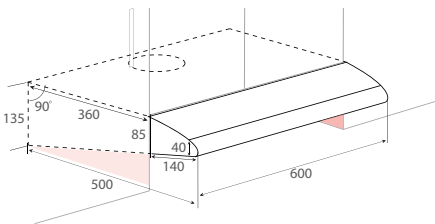
MODELS GEH9010G  
Flue outlet 120mm



MODELS GEH9015G  
Flue outlet 120mm

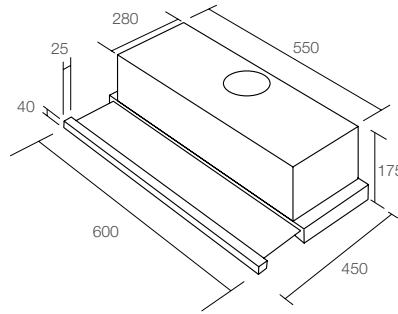
## VENINI SPECIFICATIONS : RANGEHOODS

ELECTRICAL CONNECTION: 10 amp plug - All canopies and rangehoods

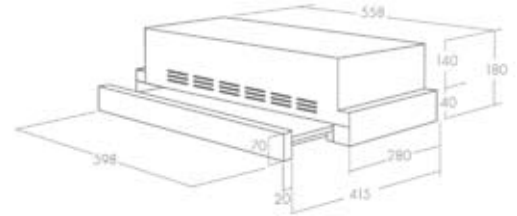


NOTE: Shaded section indicates inner part of kitchen cabinets will be exposed. Cabinet finishing will be required in this area.

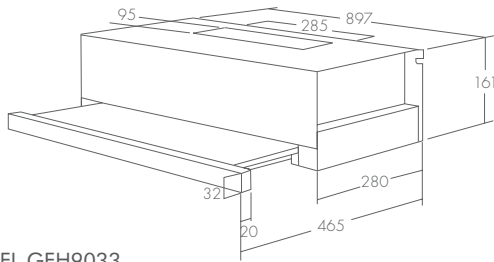
MODELS GEH6021W + GEH6013  
Flue outlet 120mm



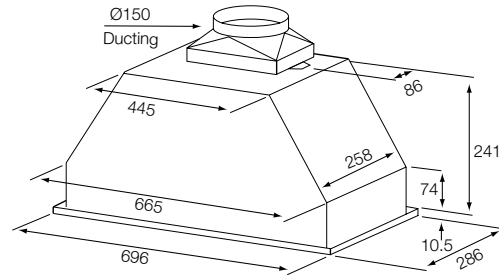
MODELS GEH6018 + GEH6018W  
Flue outlet 120mm



MODEL GEH6016



MODEL GEH9033



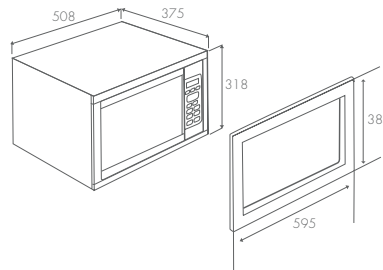
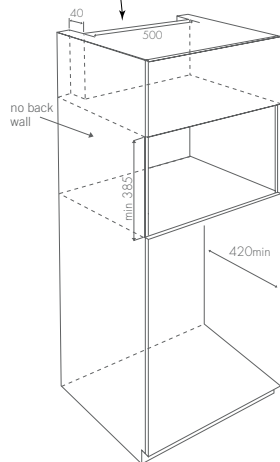
MODEL GEH7000U

## VENINI SPECIFICATIONS : MICROWAVE OVEN & TRIMKIT

ELECTRICAL CONNECTION: 10 amp plug

must have ventilation cutout  
minimum 40mm x 500mm

MICROWAVE AND TRIMKIT WALL INSTALLATION

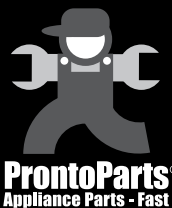


MODEL GEM252TK

\*Refer to manual for full installation instruction

# VENINI™

WWW.VENINIAPPLIANCES.COM.AU



All Venini appliances are suitable for household or domestic usage only and come with a full 2 year parts and labour warranty for your peace of mind. To get the most from your Venini appliance or in the unlikely event you should require a technician for any warranty issues please contact our customer care department on the following numbers.

CUSTOMER CARE PHONE 1800 444 357  
FAX 1300 133 279

For all your spare part needs contact Pronto Parts on 1300 306 973. Orders can also be placed via email [sales@prontoparts.com.au](mailto:sales@prontoparts.com.au)

Proudly imported and serviced by THINK APPLIANCES PTY LTD  
65 Northgate Drive Thomastown Victoria AUSTRALIA 3074  
Sales Phone 1300 132 824 Sales Fax 1300 660 188